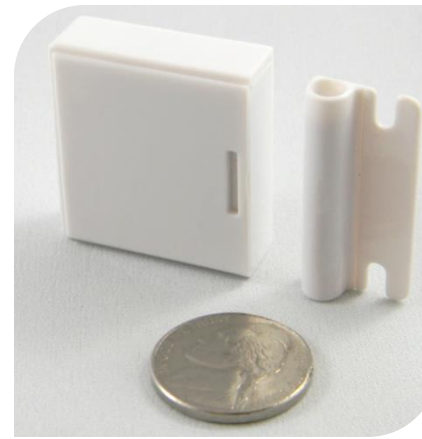
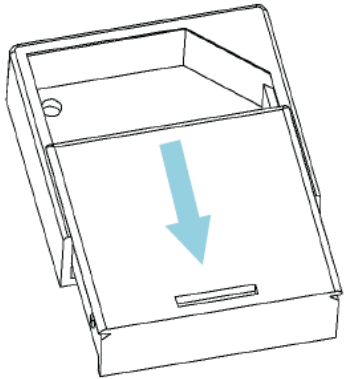


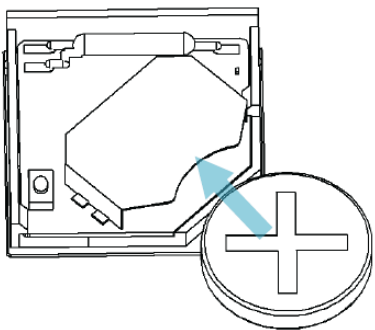
## DOOR/WINDOW SENSOR INSTALLATION GUIDE



### STEP 1: INSTALL BATTERY



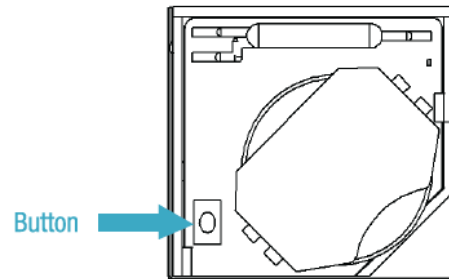
Slide open the Door/Window Sensor's top housing. Install the CR2032 battery in the housing top as shown below.



### STEP 2: INSTALL DRIVER AND IDENTIFY

Install the device's driver:  
[DoorWindow\\_zb\\_nyce\\_3011.c4i](#)  
Download driver from:  
[www.nycesensors.com/support](http://www.nycesensors.com/support)  
or from Control4's online database

Copy to My Documents\Control4\Drivers  
Open Composer and add device to project  
(Manufacturer = "NYCE")



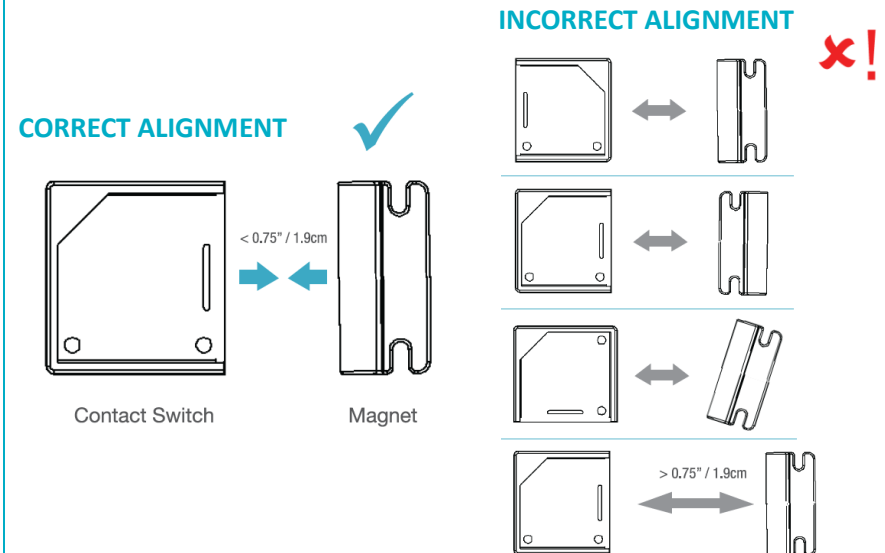
Identify the device by pressing the button 4 times while its identify window is open. The device's 64-bit address should appear in the identify window's text box.

**Add a Generic Door, Window or Contact Switch Driver to project and bind the two drivers together in Connections -> Control/AV**

### STEP 3: PROPER DEVICE ORIENTATION

Ensure that the Door/Window Sensor and the Magnet are facing each other as shown in the diagram below on the left. The Magnet and Sensor can be a **maximum of 0.75" (1.9 cm) apart**. If aligned properly, you will be able to hear a 'click' when they approach.

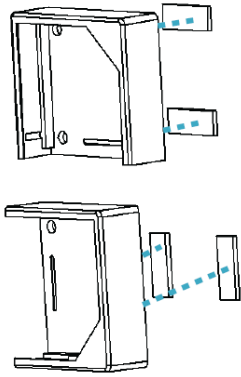
Check that the icon in Navigator's or Composer's List View updates with a "Closed" and "Open" icon as the magnet is moved to and from the device.



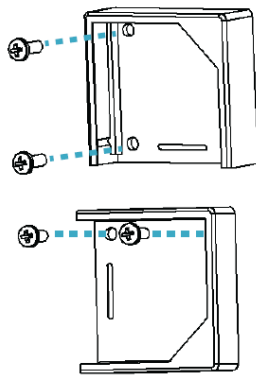
## STEP 4: INSTALL THE SENSOR HOUSING

Using the methods shown below, install the Sensor bottom housing on a clean surface.

### OPTION 1: 2-SIDED TAPE



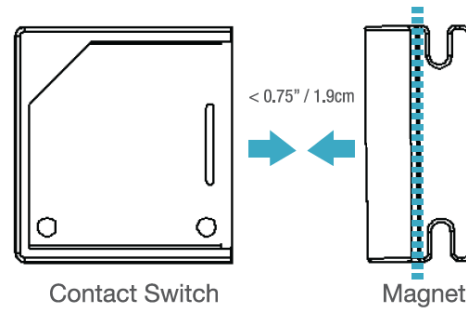
### OPTION 2: SCREWS



**Notes:** Test the Sensor from desired location before permanent installation. Installation on metal can reduce transmission range. Ensure that the device is installed in a dry location away from water, moisture, and rain.



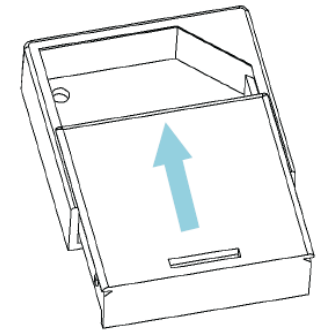
## STEP 5: INSTALL THE MAGNET



Install the magnet in the proper orientation using 2-sided tape or screws. The magnet must be within 0.75" (1.9 cm) of the Sensor.

If using 2-sided tape, the magnet's tab can be removed by snapping the screw tab along the scored line shown above.

## STEP 6: INSTALL THE SENSOR



Once you have confirmed the device is communicating, insert the sensor top housing as shown above

## PRODUCT FUNCTION AND LED INDICATORS

BUTTON	LED	ACTION	LED	DESCRIPTION
2 TIMES	●●	NETWORK STATUS	●● ●●	JOINED NOT JOINED
4 TIMES	●●●●	NETWORK JOIN	●●●● ●●●● ●● ●●	SEARCHING FOR NETWORK DEVICE BEING CONFIGURED DEVICE JOINED DEVICE FAILED TO JOIN
6 or 10 TIMES	●●●●●● or ●●●●●●●●	NETWORK LEAVE and DEFAULT	●● ●●●●●●	LEAVE (IF JOINED) and DEFAULTS RESTORED
		NO ACTION	● ●● ●●●	WRONG BUTTON PRESS NETWORK ERROR, RETRY DEVICE BUSY
		POWER UP	●●●●●●●●	

