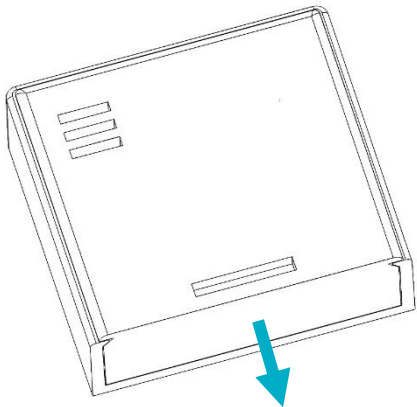


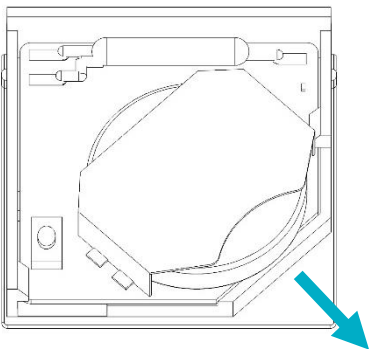
DOOR/WINDOW SENSOR INSTALLATION GUIDE



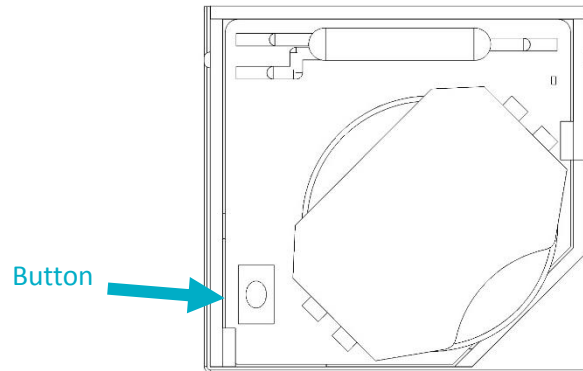
STEP 1: INSTALL BATTERY



Slide open the Door/Window Sensor's top housing. Pull the plastic tab from the CR2032 battery in the housing top as shown below.



STEP 2: JOIN THE NETWORK



Button

USERS

Refer to the instructions on your system's computer software, web portal or smart phone application for the proper method to join and configure the Door/Window Sensor. The button may be pressed with the end of a paper clip or a pencil. Do not use a sharp object like a tack or pin.

ECOSYSTEM DEVELOPERS

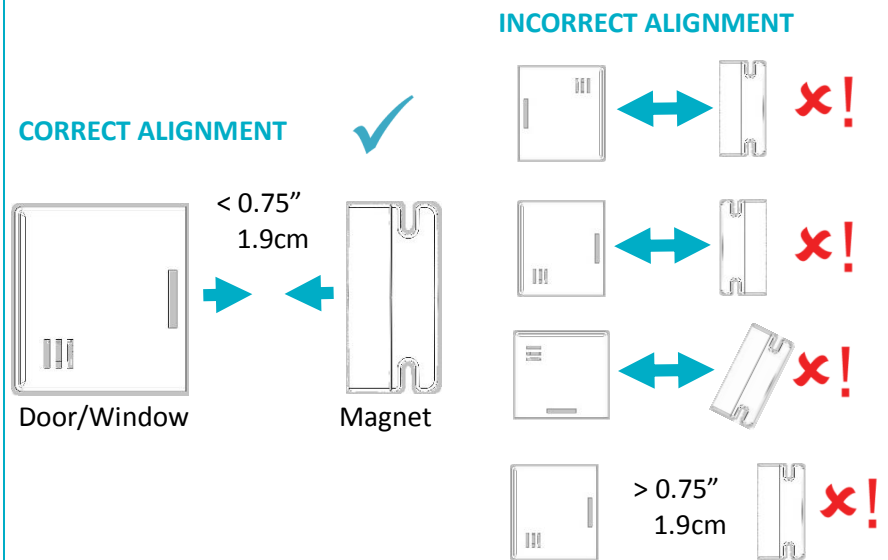
Contact NYCE for our "ZigBee Device Messaging Specification" document with details on how to integrate the Door/Window Sensor and other NYCE products into your ZigBee compliant network.

STEP 3: PROPER DEVICE ORIENTATION

Ensure that the Door/Window Sensor and the Magnet are facing each other as shown in the diagram below on the left.

The Magnet and Door/Window Sensor can be a **maximum of 0.75" (1.9 cm) apart**. If aligned properly, you will be able to hear a 'click' when they approach.

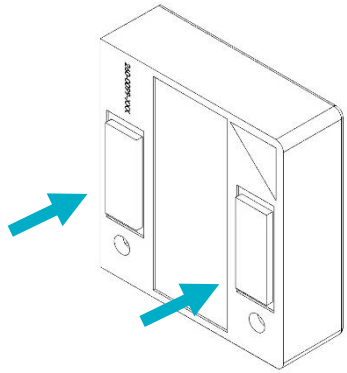
Check that the icon on your computer software, web portal or smart phone application updates with a "Closed" and "Open" icon as the Magnet is moved close to and away from the Door/Window Sensor.



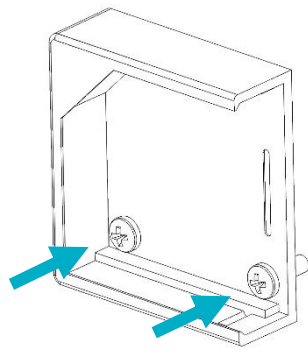
STEP 4: TEST AND INSTALL THE SENSOR HOUSING

Test the Door/Window Sensor from desired location before permanent installation. Using the methods shown below, install the Door/Window Sensor bottom housing on a clean surface.

2-SIDED TAPE



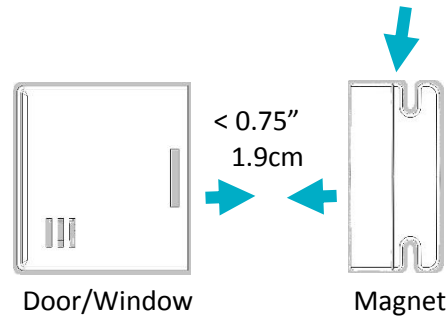
SCREWS



Notes: Installation on metal can reduce transmission range. Ensure that the device is installed in a dry location away from running water, excessive moisture, and rain.



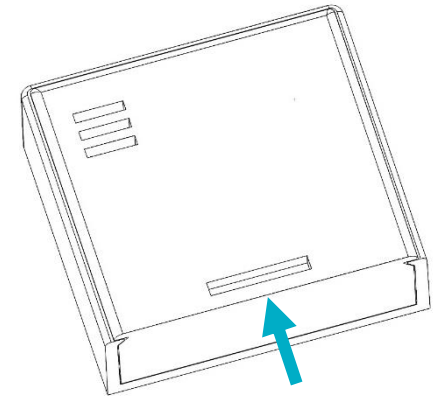
STEP 5: INSTALL THE MAGNET



Install the Magnet in the proper orientation using 2-sided tape or screws. The Magnet must be within 0.75" (1.9 cm) of the Door/Window Sensor.

If using 2-sided tape, the Magnet's tab can be removed by snapping the screw tab along the scored line shown above.

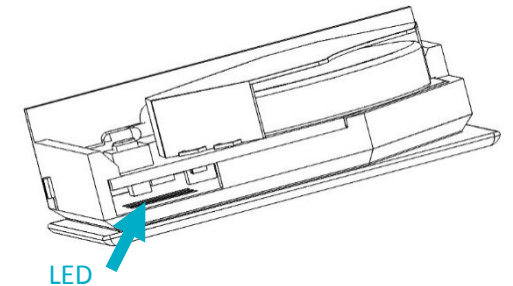
STEP 6: INSTALL THE SENSOR



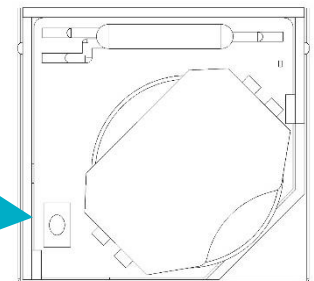
Once you have installed the bottom housing and confirmed the device is communicating, insert the Door/Window Sensor's top housing as shown above

PRODUCT FUNCTION AND LED INDICATORS

BUTTON	LED	ACTION	LED	DESCRIPTION
2 TIMES	●●	NETWORK STATUS	●●●● ●●●● ●●●●	JOINED NOT JOINED RE-JOIN IN PROCESS
4 TIMES	●●●●	NETWORK JOIN	●●●● ●●●● ●●●● ●●●● ●●●●	SEARCHING FOR NETWORK DEVICE BEING CONFIGURED DEVICE JOINED DEVICE FAILED TO JOIN
8 TIMES	●●●●●●●●	FORCED RE-JOIN	●●●●	RE-JOIN, SEARCHING FOR PARENT
10 TIMES	●●●●●●●●●●	NETWORK LEAVE AND DEFAULT	●●●● ●●●●●●	LEAVE (IF JOINED) AND DEFAULTS RESTORED
		NO ACTION	● ●●●	WRONG BUTTON PRESS DEVICE BUSY
		POWER UP	●●●●●●	



LED



Button