



How to Install a NYCE Control Tilt Sensor

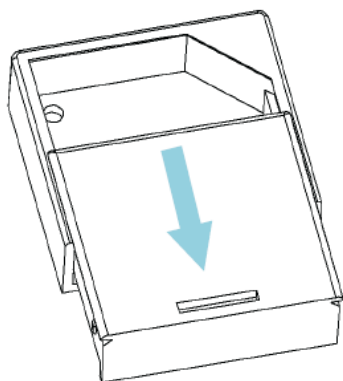


works with Iris

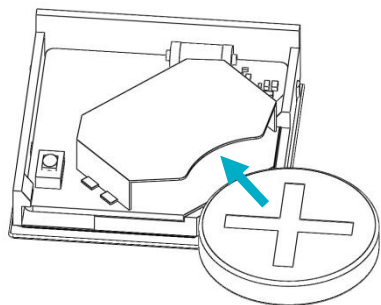
Requires
Iris™
smart hub



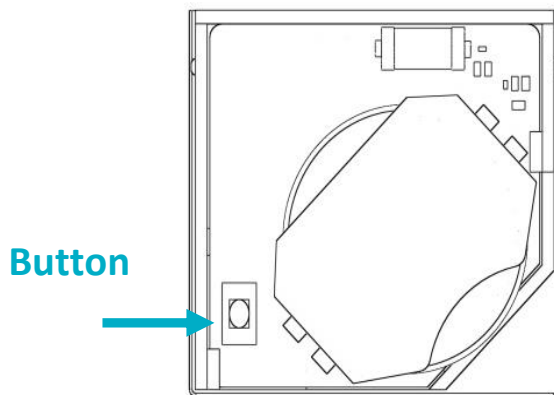
STEP 1: INSTALL BATTERY



Slide open the Tilt Sensor's housing. Install the CR2032 battery in the top part as shown below.



STEP 2: CONNECTING TO IRIS®

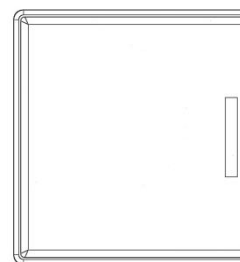


- To pair the Tilt Sensor with your Iris home management system, log into your Iris account from a computer at www.lowes.com/iris
- Follow the on screen instructions in the Add Device section of the Iris website.

STEP 3: PROPER LOCATION / ORIENTATION OF SENSOR

- Mount the Tilt Sensor on a vertical pane of the object being monitored. If mounted on a garage door, the Tilt Sensor should be on the top panel to ensure it reports "Closed" only when the garage door is fully closed.
- Ensure that the Tilt Sensor is oriented with the bar symbol vertical, parallel to the right edge of the garage door, as shown in the diagram below on the left.

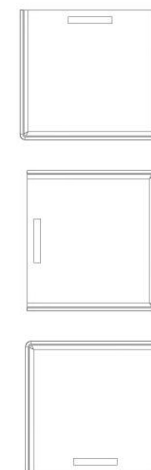
CORRECT ORIENTATION ✓



Tilt Sensor

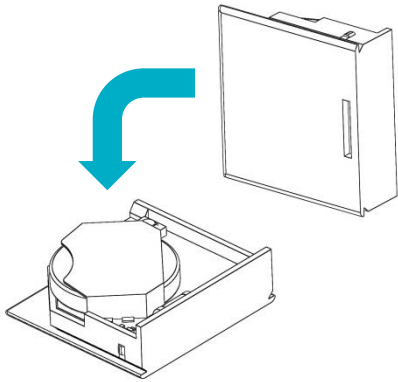
Right edge of Garage Door

INCORRECT ALIGNMENT ✗!



Right edge of Garage Door

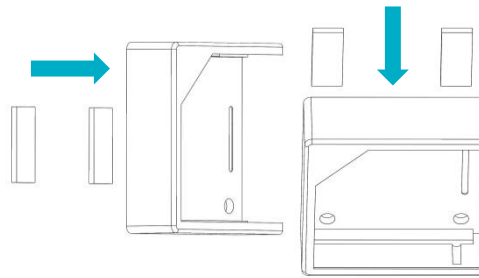
STEP 4: TEST THE TILT SENSOR



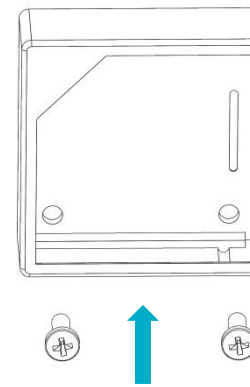
- Test the Tilt Sensor from the desired location before permanently installing it by flipping it forward as shown above. This is the same action as a garage door opening.
- Use the Iris website to check that the Tilt Sensor status correctly changes from “Closed” to “Opened”.

STEP 5: INSTALL THE TILT SENSOR

METHOD 1: DOUBLE-SIDED TAPE



METHOD 2: SCREWS



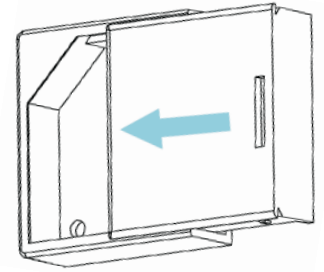
- Using the methods shown above, install the Tilt Sensor bottom housing on a clean surface using the two #2 screws (preferred) or the double-sided tape provided.

Notes:

- Installation on metal surfaces can reduce transmission range.
- Ensure that the device is installed in a dry location away from water, moisture and rain.



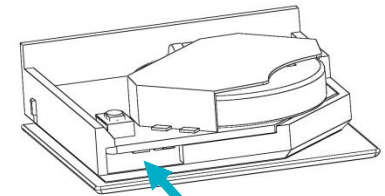
STEP 6: CLOSE COVER



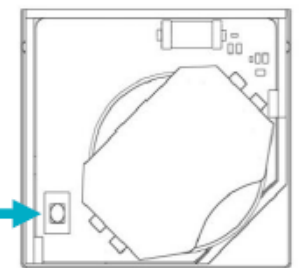
- Once you have installed the bottom housing and confirmed the Tilt Sensor is communicating, close the Tilt Sensor housing as shown in the diagram above.

PRODUCT FUNCTION + LED INDICATORS

Button Press <small>LED will flash green on each press</small>	Action	LED Response	Description
1 press	Pair with Iris	●● (green) ●●● (red)	Scanning for an Iris network Not Paired - Press button once to retry
2 presses	Check network status	●●● (green) ●● (green, yellow) ●●● (yellow) ●●● (red)	Paired to Iris Pair Incomplete - Press “Continue” on Iris Pairing in Progress Not Paired - Press button once to retry
5 presses	Reset	● (red for 2 seconds)	Factory Defaults Restored
Select ‘Test’ on Iris Website	Test signal strength	● (green) ●● (red)	Strong Signal Strength Weak Signal Strength



LED



Button