



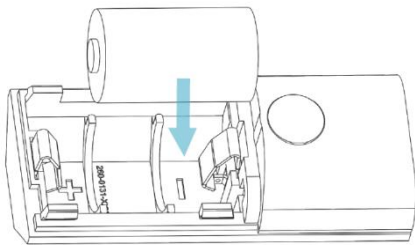
MOTION SENSOR INSTALLATION GUIDE



STEP 1: INSTALL BATTERY



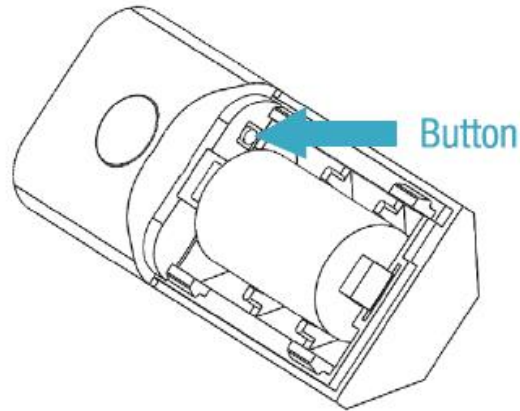
To open the battery cover, use a flathead screwdriver in the recessed slot as shown.



Remove the packing tape, if present, from the battery cover and install the CR2 battery with polarity as shown.

If the battery is pre-installed, simply remove the plastic pull tab.

STEP 2: INSTALL DRIVER AND IDENTIFY



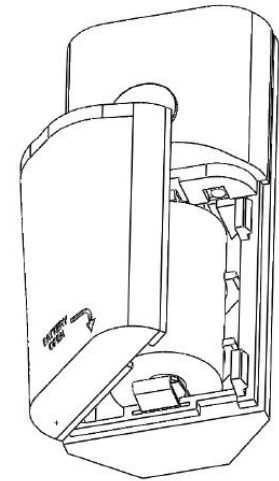
Install the device's driver: [MotionSensor_zb_nyce_3041.c4i](#)
Download driver from: www.nycesensors.com/support
or from Control4's online database

Copy to My Documents\Control4\Drivers
Open Composer and add device to project (Manufacturer = "NYCE")

Identify the device by pressing the button 4 times while its identify window is open.

The device's 64-bit address should appear in the identify window's text box.

STEP 3: VERIFY DEVICE AND CLOSE



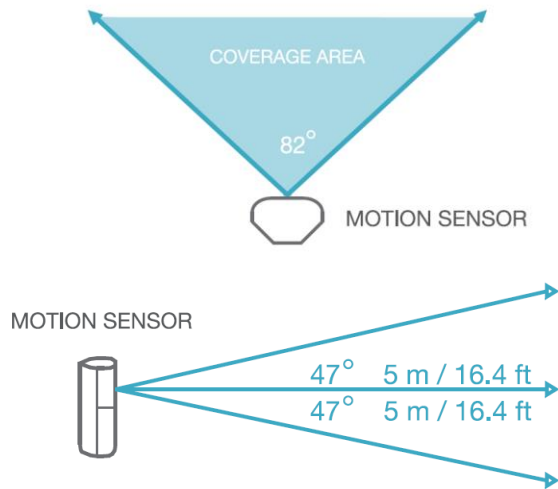
Verify that the device is sensing motion.

The sensor requires a 3 minute "warm-up" time before it will report motion.

The LED should flash red and motion should be indicated in Navigator or Composer's List View.

Snap the battery cover into place.

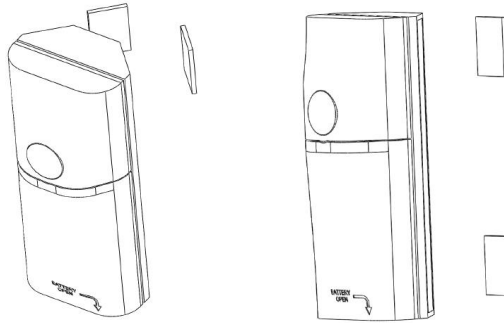
STEP 4: PLACEMENT GUIDELINES



Orient the Motion Sensor for best use of its detection zones.

* All Measurements are approximate.

STEP 5: INSTALL THE MOTION SENSOR



Install the Motion Sensor on a clean surface using the 2-sided tape provided. It can be installed on a flat surface or in a corner, vertically, horizontally or upside down.

Notes: Test the Sensor from the desired location before permanent installation. Installation on metal can reduce transmission range. Ensure that the device is installed in a dry location away from water, moisture, and rain.



READING AND WRITING ATTRIBUTES

To Read:

In Composer, under the Actions tab, click on Read Attributes. Wake up the device by triggering motion or with a double button press. Check the updated attribute value under the Properties tab. The Attribute Status field should read: "Attributes are up to date."

To Write:

In Composer, change the attribute value (Custom = 4 - 65535 seconds) under the Properties tab and click Set. Under the Actions tab, click on Write Attributes. Wake up the device by triggering motion or with a double button press. Check the Attribute Status field. It should read: "Attributes are up to date".

PRODUCT FUNCTION AND LED INDICATORS

BUTTON	LED	ACTION	LED	DESCRIPTION
2 TIMES	●●	NETWORK STATUS	●● ●●	JOINED NOT JOINED
4 TIMES	●●●●	NETWORK JOIN	●●●● ●●●● ●● ●●	SEARCHING FOR NETWORK DEVICE BEING CONFIGURED DEVICE JOINED DEVICE FAILED TO JOIN
6 or 10 TIMES	●●●●●● or ●●●●●●●●	NETWORK LEAVE and DEFAULT	●● ●●●●●●	LEAVE (IF JOINED) and DEFAULTS RESTORED
		NO ACTION	● ●● ●●●	WRONG BUTTON PRESS NETWORK ERROR, RETRY DEVICE BUSY
		MOTION DETECTED POWER UP	● ●●●●●●●●	

