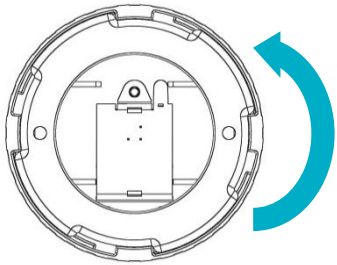




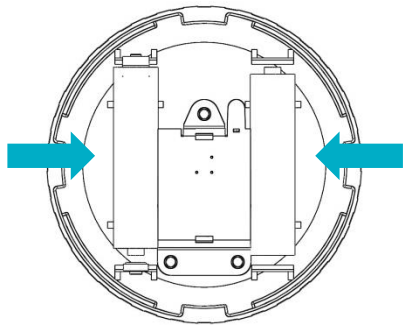
# CEILING MOTION SENSOR INSTALLATION GUIDE



## STEP 1: INSTALL BATTERIES

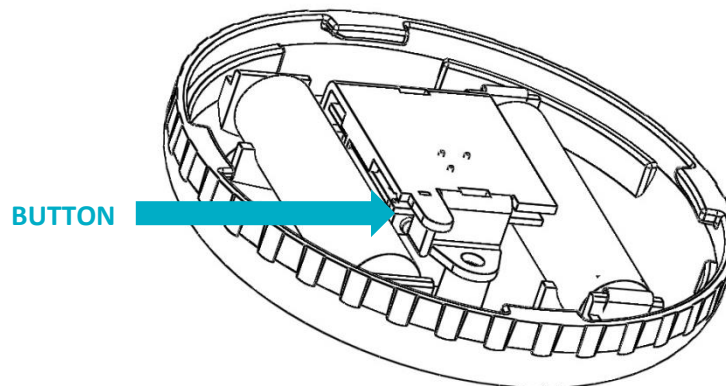


Remove the Mounting Plate by rotating the Housing counter-clockwise as shown.



Install the two AAA batteries in the Sensor Housing with polarity as shown.

## STEP 2: JOIN THE NETWORK



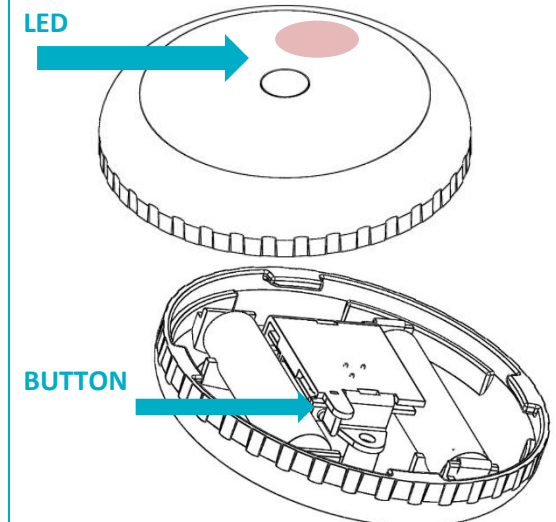
### USERS

Refer to the instructions on your system's computer software, web portal or smart phone application for the proper method to join and configure the Ceiling Motion Sensor. The button may be pressed with the end of a paper clip or a pencil. Do not use a sharp object like a tack or pin.

### ECOSYSTEM DEVELOPERS

Contact NYCE for our "ZigBee Device Messaging Specification" document with details on how to integrate the Ceiling Motion Sensor and other NYCE products into your ZigBee compliant network.

## STEP 3: TEST THE SENSOR

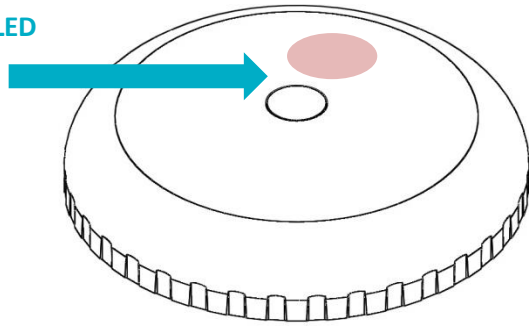


Test the Ceiling Motion Sensor from the desired location before permanently installing it by pressing the button twice to check network status.

Check that the Ceiling Motion Sensor's LED blinks green three times to indicate it is joined and is communicating with the system controller.

### STEP 4: VERIFY DEVICE

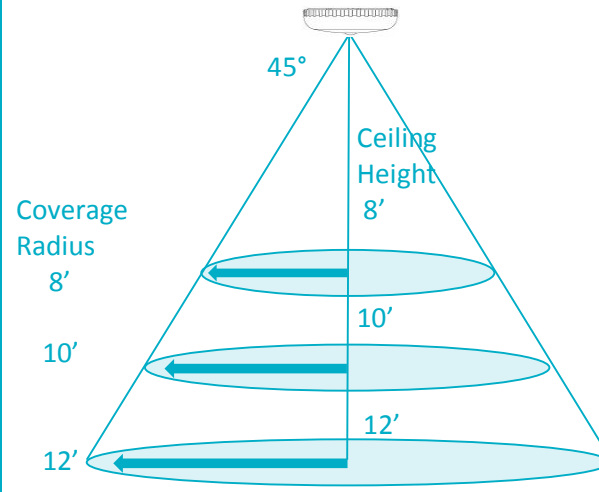
LED



Verify that the device is sensing motion. The sensor requires a 3 minute “warm-up” time before it will report motion.

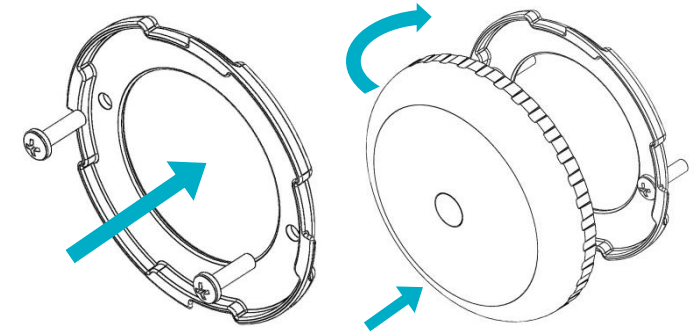
The LED should flash red and motion should be indicated on your web portal or smart phone application.

### STEP 5: PLACEMENT GUIDELINES



Position the Ceiling Motion Sensor for best use of its detection zones.  
 \* All measurements are approximate and will vary with installation.

### STEP 6: INSTALL THE SENSOR



Install the Mounting Plate on an overhead surface using the two #6 screws provided. Place the Sensor Housing over the Mounting Plate, there is no “keyed” location. Rotate the Housing clockwise to lock it into place.

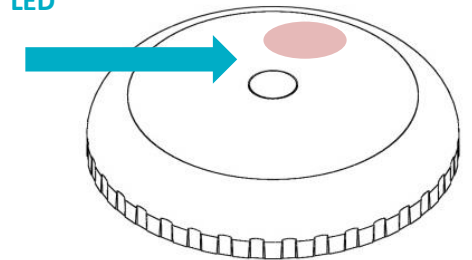
**Notes:** Installation on metal can reduce transmission range. Ensure that the device is installed in a dry location away from water, moisture, and rain.



### PRODUCT FUNCTION AND LED INDICATORS

BUTTON	LED	ACTION	LED	DESCRIPTION
2 TIMES	●●	NETWORK STATUS	●●●● ●●●● ●●●●	JOINED NOT JOINED RE-JOIN IN PROCESS
4 TIMES	●●●●	NETWORK JOIN	●●●● ●●●● ●●●● ●●●●	SEARCHING FOR NETWORK DEVICE BEING CONFIGURED DEVICE JOINED DEVICE FAILED TO JOIN
8 TIMES	●●●●●●●●	FORCED RE-JOIN	●●●●	RE-JOIN, SEARCHING FOR PARENT
10 TIMES	●●●●●●●●●●	NETWORK LEAVE AND DEFAULT	●●●● ●●●●●●	LEAVE (IF JOINED) AND DEFAULTS RESTORED
		NO ACTION	● ●●●	WRONG BUTTON PRESS DEVICE BUSY
		MOTION DETECTED POWER UP	● ●●●●●●	

LED



BUTTON

